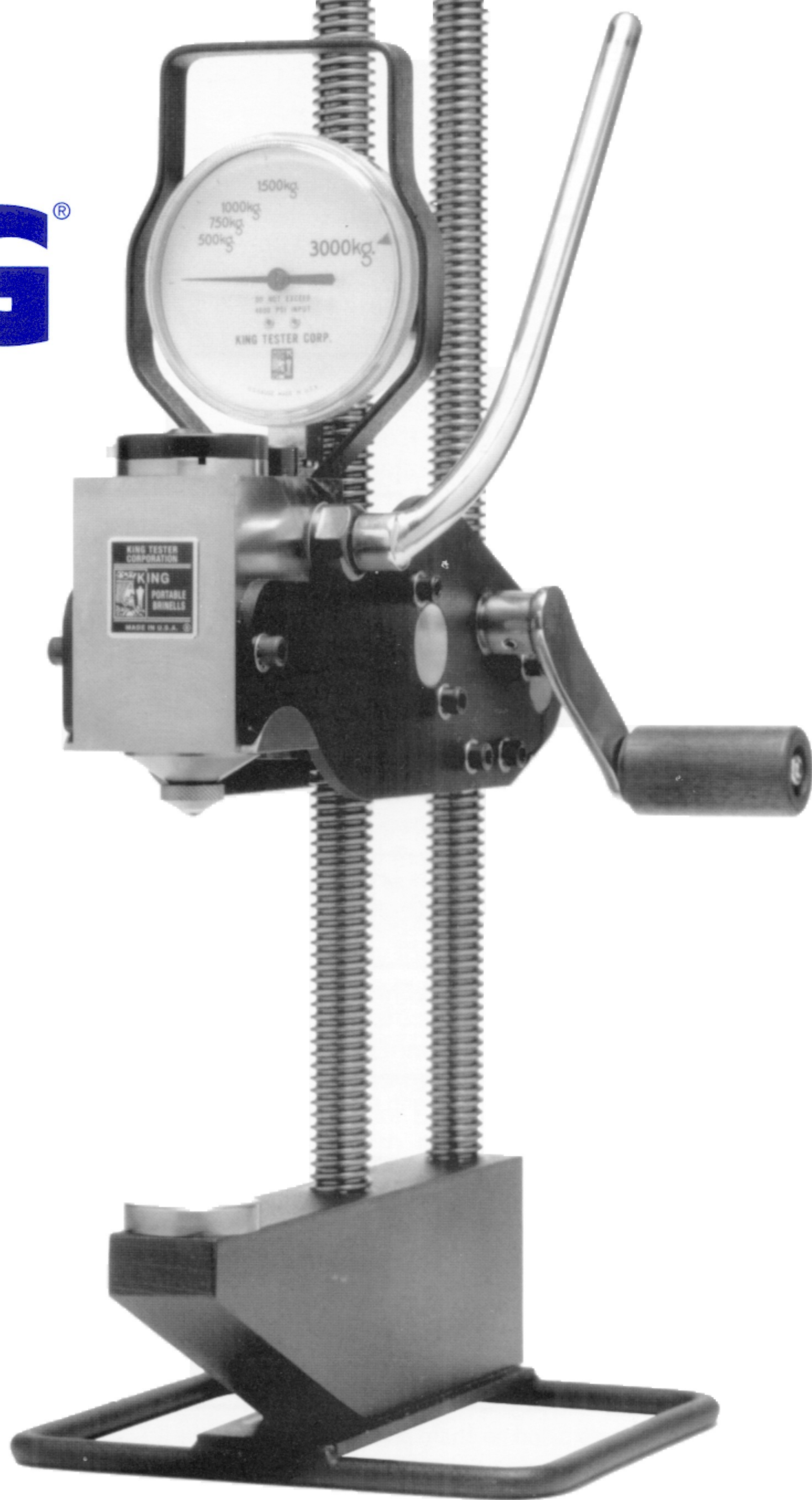


KING[®]

Portable Brinell Hardness Tester

- **Accurate**
- **Versatile**
- **Durable**
- **Affordable**



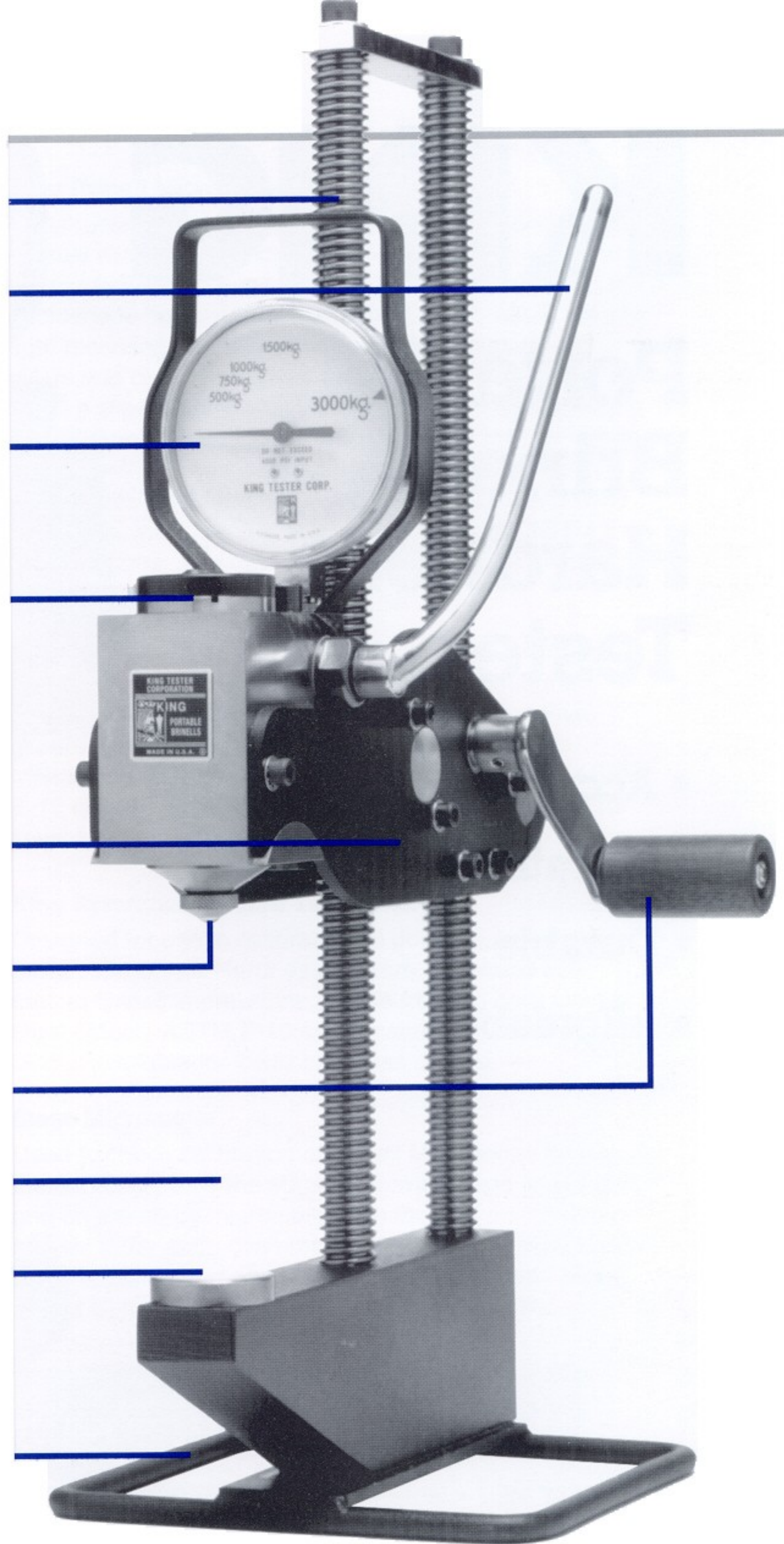
KING[®]
King Tester Corporation

King Brinell Hardness Tester

Nothing beats it
for Accuracy,
Versatility,
Durability,
and Affordability

With the advent of new requirements for quality control, accurate - reliable hardness testers are needed today more than ever. The King Brinell tester is designed to make impressions that are used to measure the hardness of metal. A universally recognized tester, the King portable Brinell has a number of advantages:

- **Permanence**—Impression can be checked and rechecked anytime.
- **Accuracy**—Calculated to 1/2 of 1% of load. Can be used for higher loads up to 3,000 kg. Breaks through surface heat treatment to get to the core of the material.
- **Durability**—Some King Portable Brinell testers have been working over 60 years.
- **Versatility**—Can be used in virtually any position: right-side up, upside down or sideways. Take the tester to the metal, not the metal to the tester.



Alloy Steel-Threaded Posts
Wear longer, resist distortion.

Pressure Lever
Used to apply up to a true 3000 kg load.

Bourdon-Type Pressure Gauge
Indicates true load exerted by pump and when full load has been reached.

Stainless Steel Test Head
Contains sealed hydraulic pump and reservoir. Calibrated to release load at 3,000 kg. Fully interchangeable with optional King bases. Also available in a low pressure version for testing softer metals and in a long ram version.

Gear Train with Hand Crank
Allows easy, positive adjustment of opening to any size specimen up to 14" (20" optional).

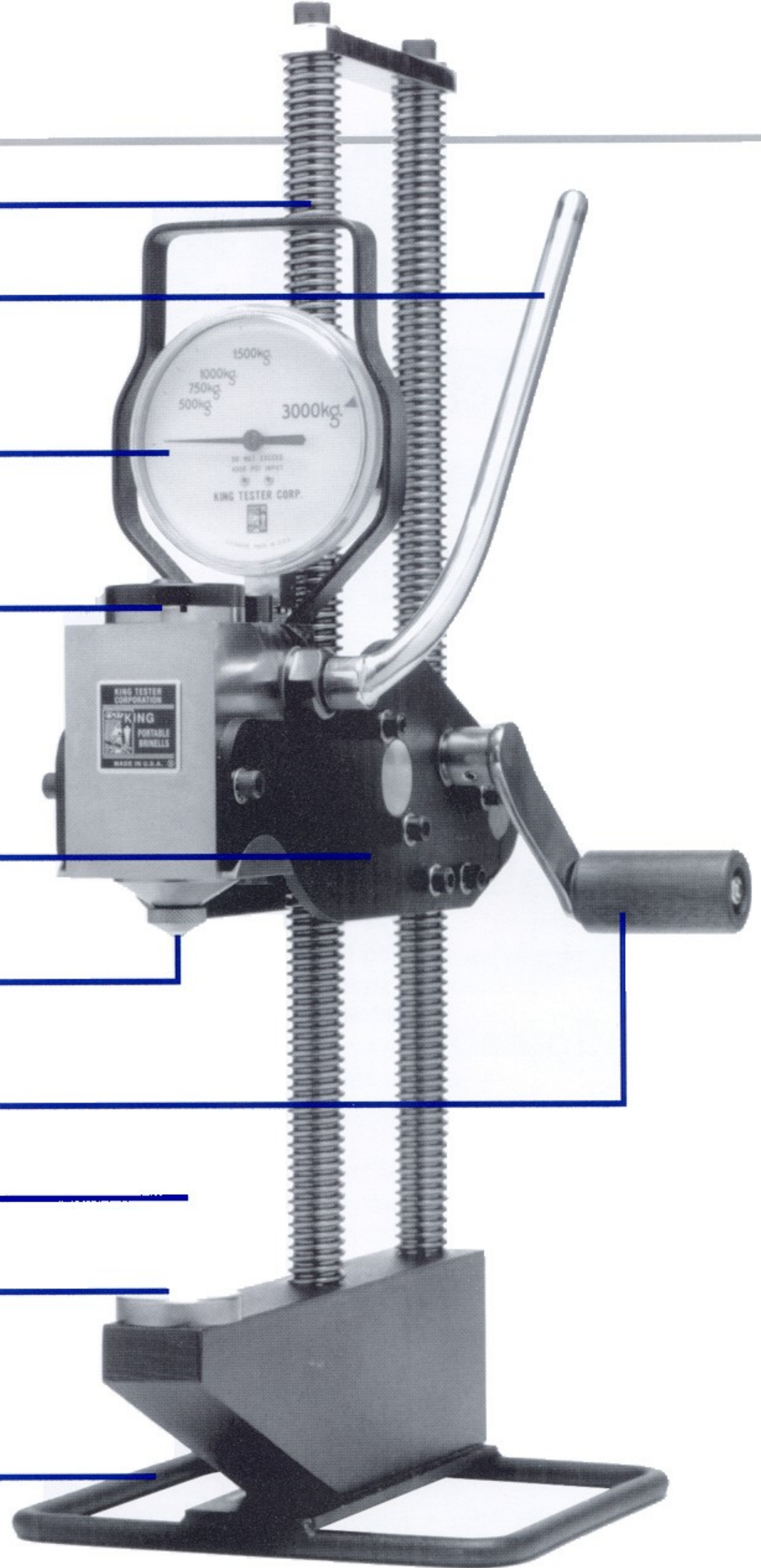
Standard 10mm Brinell Ball
Can be easily changed to 2.5 & 5mm ball or reverse direction load head.

Handle
Made of walnut wood for easy grip and durability.

Throat
Standard is 4" with 6" optional.

Flat, Dome and Vee Anvils
Supplied as standard equipment for testing various shaped specimens. Also accepts reverse direction impression adapters.

Wire Basket
Rounded corners and no sharp edges for maximum safety.



Complete Testers

Standard King Brinell Hardness Tester

The King Brinell hardness tester has a base with a 14" gap and 4" throat; head and gauge calibrated for a 0 – 3000 kg. load; filled hydraulic reservoir; 10mm steel ball; flat, dome and vee shaped anvils; instruction and maintenance manuals.